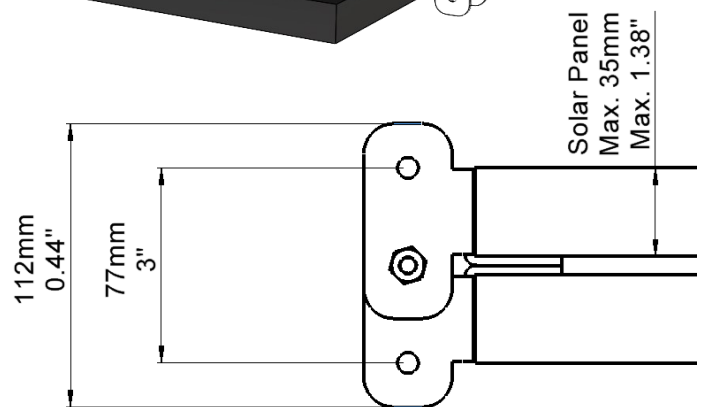
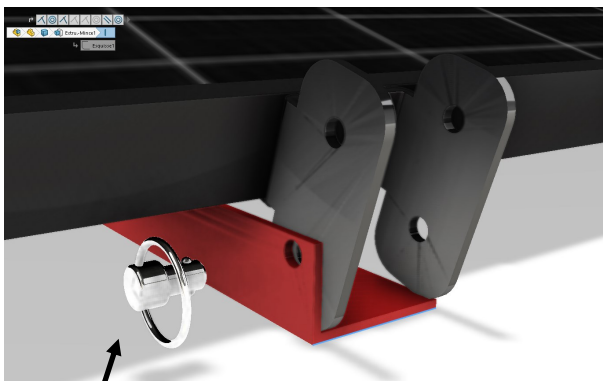


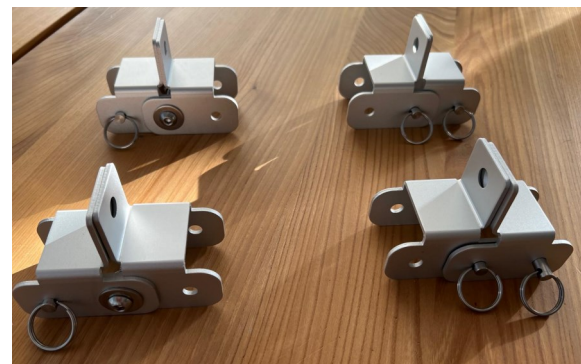
A rapid deployment solution for solar professionals

Unlike traditional solar installations, DYPTIC™ excels not only in long-term deployment (20+ years) but also in unlocking the potential of unutilized land in industrial and commercial zones for short and medium-term use. Its exceptionally low deployment and redeployment costs enable profitable solar power generation on flexible timeframes (5-10 years), facilitating short and medium-term land leases while reducing upfront costs and streamlining decision-making.



DYPTIC™ utilizes quick-release pins for secure ground attachment, employing either metal squares and ballasting bricks or ground screws (foundation screws) depending on the site conditions

PWRstation Holding SA
World Trade Center
1018 Lausanne - SWITZERLAND
www.pwrstation.com



Key features

DYPTIC™ is an innovative aluminum folding structure that is not only durable but also incredibly easy to deploy. The system comprises eight proprietary-designed hinges, enabling the assembly of two or more solar panels into units that can be quickly unfolded and folded. This design allows the panels to be stacked and secured efficiently, providing unmatched maneuverability and mobility.

DYPTIC™ is also panel agnostic, as its hinges can be assembled on almost any framed solar panels on the market. For samples or small orders, we offer convenient air shipping. For larger orders typically shipped by sea, custom-made connecting brackets can be ordered to meet specific needs. Additionally, volume discounts are available upon request.

Kit Contents

- 8x DYPTIC™ Hinges
- 8x Stainless steel bolts for attaching to the solar panel, including a countersunk screw, a washer, and a locknut
- 4x Stainless steel bolts with screw, washer, and nut, allowing for reliable panel connections while enabling pivoting

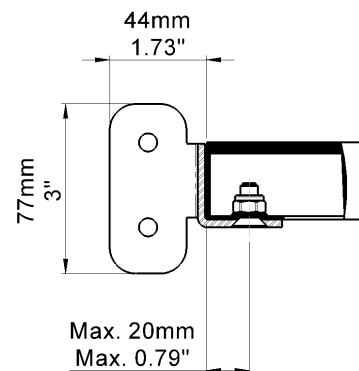
Not Included

- Connecting bars or brackets
- Ballasting elements
- Anchoring elements

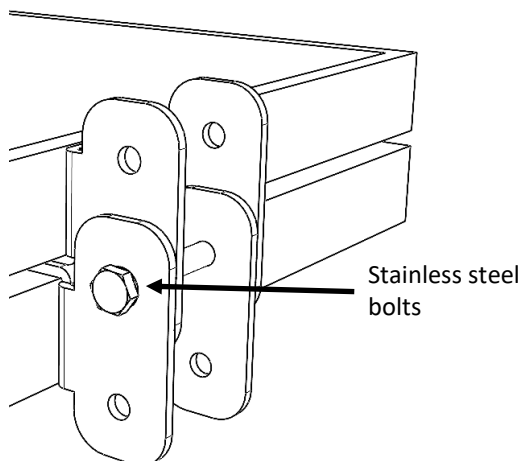
These last three items are simple and easy to find locally by installers.

Benefits:

- **Installation:** on the ground and/or on a flat roof (easy transition from one to the other)
- **Use:** Temporary, permanent, semi-permanent
- **Set-up:** Easy, ultra-fast deployment



Pivot side



Locking side

